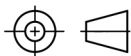


THIRD ANGLE PROJECTION

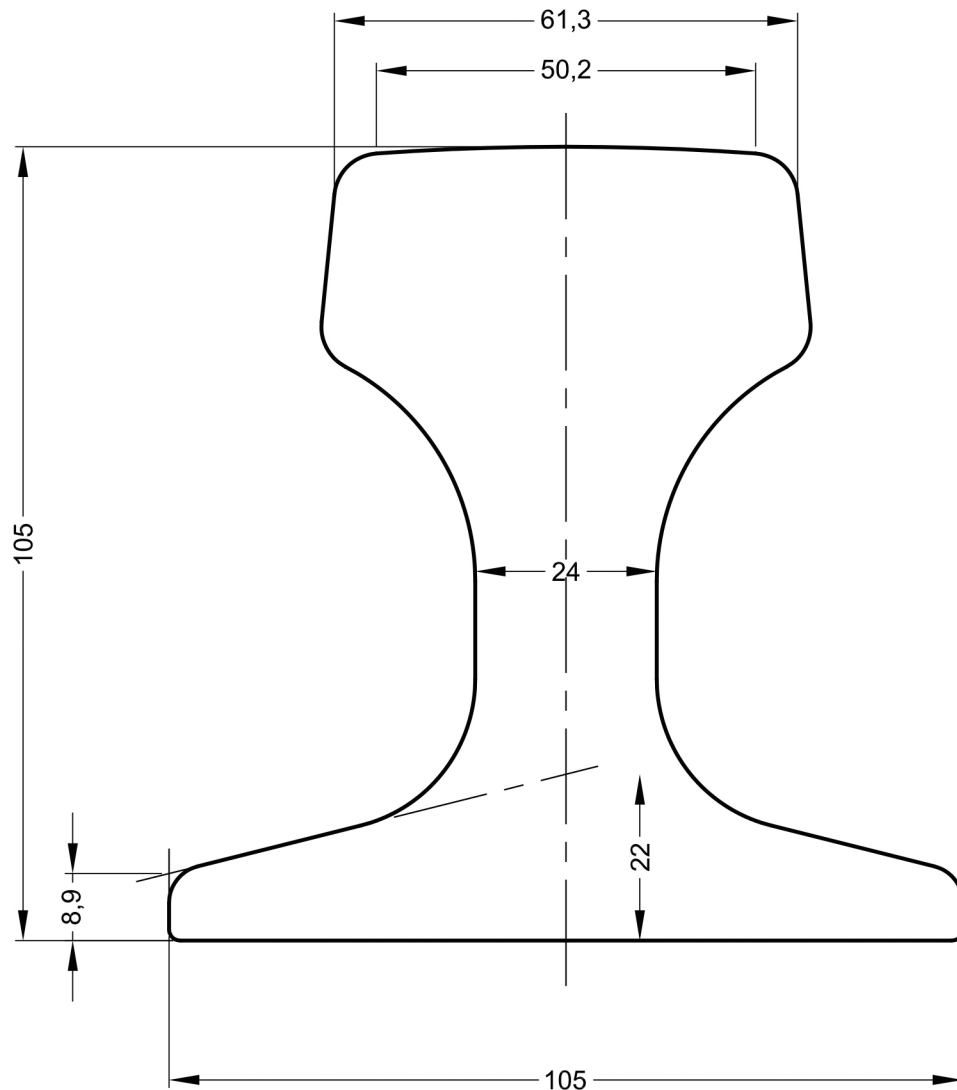


FOR GUIDANCE ONLY
THIS INFORMATION HAS BEEN
PROVIDED IN GOOD FAITH BUT
SPECIFICATIONS DO CHANGE

Edition B

Date 06/07/10

Scale 1:1 @ A4



NOTE: THE PROPERTIES SPECIFIED BELOW HAVE BEEN CALCULATED USING AUTOCAD SOFTWARE AND ARE ACCURATE AT THE TIME OF THIS DRAWING ISSUE. THESE FIGURES MAY DIFFER SLIGHTLY FROM THOSE PUBLISHED IN THE STANDARD FOR THE RAIL.



AGICO GROUP

**Anyang General International
Co., Ltd.**

Tel: +86 372 5081 703
Email: info@rail-fastener.com
http://www.rail-fastener.com

Rail Designation	ISCR 60		
Rail Origin	INDIA		
Standard	IS 3443-1980		
Area of section	5099 mm ²		
Calculated Mass	40	kg/m	
Neutral Axis to base	50.8	mm	
Moment of Inertia	Ixx	637 cm ⁴	Iyy 189 cm ⁴